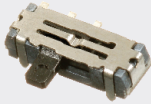


NSS506 Series

Features

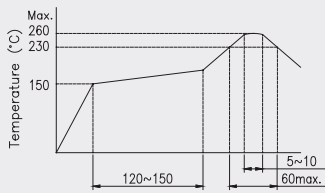
Lead Free HF RoHS

- Available for various terminal timing.



Rating	DC4V 0.3A.
Stroke	2.0 ± 0.3 mm
Contact Resistance	70 mΩ max.
Insulation Resistance	DC500V -100MΩ min.
Withstand Voltage	AC500V - 1 minute

Recommended Reflow Soldering Profile



Number of Reflow Pass : 2 cycles

Recommended Wave Soldering Profile

Parameters	Lead-Free Specification
Preheating Time	60 sec max.
Preheating Temperature	100°C max.
Continuous Dipping Time	3~5 sec max.
Soldering Temperature	260°C max.

Recommended Manual Soldering Profile

	Temperature	Time
Manual Soldering Temperature	350 °C (max.)	3 Sec.(max.)

The solder iron and solder shall be applied at a distance of 1.91 mm to 2.54 mm from the plastic housing.

Durability 10,000 cycles

SMT - G Type Horizontal 1 Pole 2 Positions 8.7L x 3.0W x 2.0H

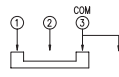
Outline Drawing

Product No.	Package
NSS506-212F-KKKGIT	1,800 Pcs/Reel

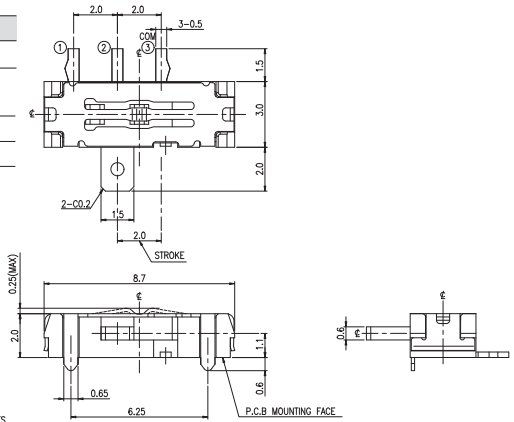
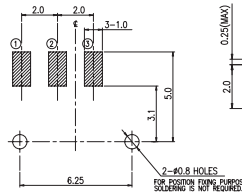
Specifications

Timing	Free
Operating Force	150 ± 75 gf

Schematic



P.C.B Layout



General Tolerance : ±0.2mm.

DIP - D Type Horizontal 1 Pole 3 Positions 12.5L x 3.0W x 2.0H

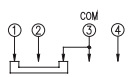
Outline Drawing

Product No.	Package
NSS506-213N-BBGD1B	Bulk

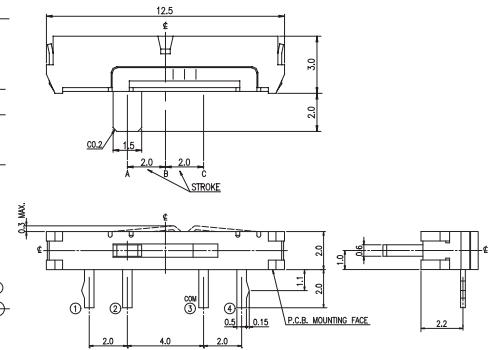
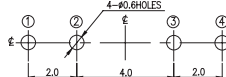
Specifications

Timing	Non-shorting
Operating Force	A→B, C→B : 120 ± 75gf B→A, B→C : 150 ± 100gf

Schematic



P.C.B Layout



General Tolerance : ±0.2mm.

SMT - G Type Horizontal 1 Pole 3 Positions 12.5L x 3.0W x 2.0H

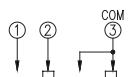
Outline Drawing

Product No.	Package
NSS506-213N-BBBGIT	1,800 Pcs/Reel

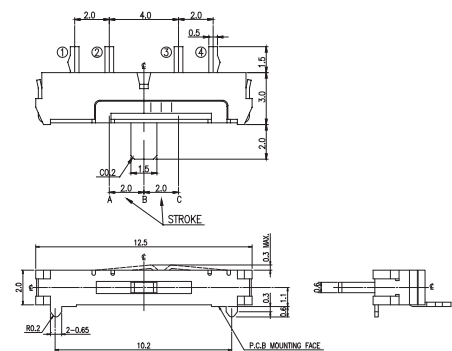
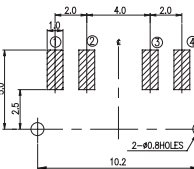
Specifications

Timing	Non-shorting
Operating Force	A→B, C→B : 175 ± 100gf B→A, B→C : 250 ± 100gf

Schematic



P.C.B Layout



General Tolerance : ±0.2mm.